

# Accessanka

 A KEE SAFETY PRODUCT

SAFETY AT THE HIGHEST LEVEL

## Portable Deadweight Anchor system for Rope Access



- CONFORMS TO CLASS B & E EN 795, BS 7883 & ISO 14567
- CE APPROVED TO PPE DIRECTIVE
- FULLY PORTABLE – NO STRUCTURAL ATTACHMENT TO ROOF SURFACE OR SURROUNDINGS
- DOES NOT PENETRATE THE ROOF SURFACE

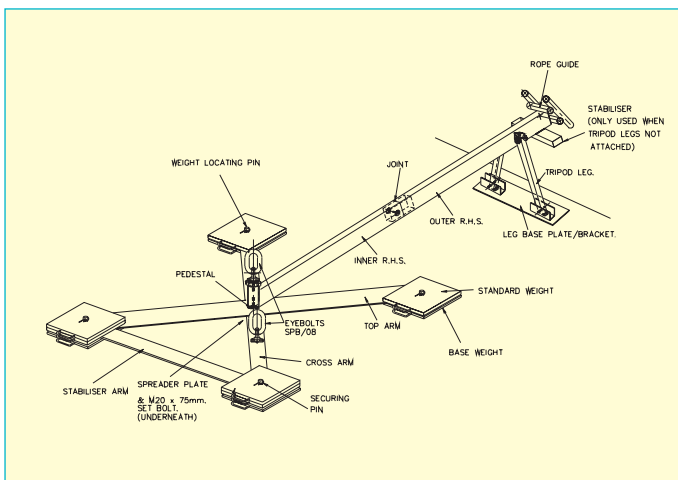
 0194

# Accessanka

**ACCESSANKA** is designed as an accessory to **WEIGHTANKA** to provide a portable anchor device for rope access workers, allowing them to work safely in accordance with BS 7985, the "Code of Practice for the Use of Rope Access Methods for Industrial Purposes". When correctly installed, the system is extremely stable and will not migrate across the roof surface either in normal use or when arresting the fall of both a worker and a rescuer up to a 200kg limit. **ACCESSANKA** has been designed for easy transportation and installation with no part over 25kg or 2 metres.

When purchasing **ACCESSANKA** from Kee Safety Ltd, you can be assured of unrivalled technical support. Our technical team can offer practical assistance in all aspects of design, installation and compliance with relevant standards. **ACCESSANKA** is part of the **KEE ANCHOR** group of products which also includes **WEIGHTANKA** and **WIREANKA**.

## Features of Accessanka



- Independently tested at N.E.L. (National Engineering Laboratory, East Kilbride, N.B. 0320)
- Conforms to CLASS B & E EN 795, BS 7883 & ISO 14567
- CE Approved to PPE Directive
- Self contained portable anchor device
- Does not penetrate the roof surface
- Separate anchor point for working line and back up line
- Modular construction
- Internally force balanced system causes the assembly to remain static, even when arresting the fall of both worker and rescuer

## Benefits of Accessanka



- Requires no attachment to structural members
- Easily moved across roof surface, removing need for multiple attachment points
- Rope lines held away from edge of building reducing risk of abrasion
- Provides full fall arrest protection before approaching edge
- Aluminium, galvanised and rubber coated parts requiring minimum maintenance



Kee Safety Ltd  
1 Boulton Road  
Reading  
Berkshire  
RG2 0NH  
Tel: 0118 931 1022  
Fax: 0118 931 1146  
Email: sales@keesafety.com  
Web: www.keesafety.com

Kee Safety Ltd  
Cradley Business Park  
Overend Road, Cradley Heath  
West Midlands  
B64 7DW  
Tel: 01384 632390  
Fax: 01384 632391  
Email: enquiries@keesafety.com  
Web: www.keesafety.com