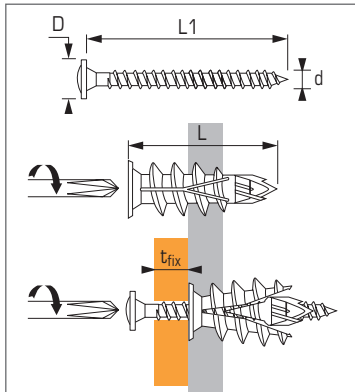




Self drilling anchor for plasterboard & aerated concrete



Technical data

Anchor size	Max. thick. of part to be fixed (mm) t_{fix}	Screw threaded diameter (mm) d	Screw head diameter (mm) D	Total screw length (mm) $L1$	Anchor head diameter (mm) d	Total anchor length (mm) L	Code
TP10	10	4,5	9,0	45	13	38	565806

Nota : Predrilling with HSS drill bit is required in aerated concrete : $\varnothing 8$ mm

APPLICATION

- Fittings
- Bathroom accessories
- Wall heaters
- Electrical switch boxes
- Trunking
- Conduit

MATERIAL

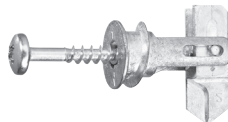
- **Body** : reinforced polyamid
- **Screw** : Flat head screw supplied

TENSILE

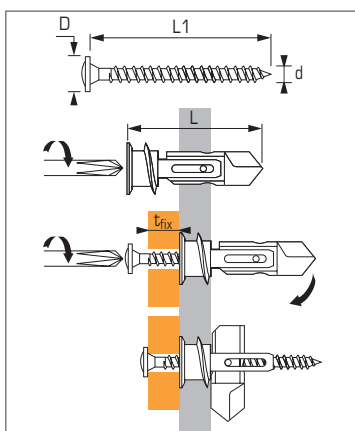
Anchor size	TP10
Base material	
Aerated concrete	
N_{rec}	0,095
$N_{Ru,m}$	0,49
Plasterboard BA13	
N_{rec}	0,09
$N_{Ru,m}$	0,45
Plasterboard BA10	
N_{rec}	0,06
$N_{Ru,m}$	0,29

SHEAR

Anchor size	TP10
Base material	
Aerated concrete	
V_{rec}	0,25
$V_{Ru,m}$	1,40
Plasterboard BA13	
V_{rec}	0,24
$V_{Ru,m}$	1,10
Plasterboard BA10	
V_{rec}	0,15
$V_{Ru,m}$	0,75



Special fixing for plasterboard : double anchorage



Technical data

Anchor size	Max. thick. of part to be fixed (mm) t_{fix}	Screw threaded diameter (mm) d	Screw head diameter (mm) D	Total screw length (mm) $L1$	Anchor head diameter (mm) d	Total anchor length (mm) L	Code
TP12	12	4,5	9,2	45	16	39	061190

Recommended loads (N_{rec}) and ultimate loads ($N_{Ru,m}$) in kN

TENSILE

Anchor size	TP12
Base material	
Plasterboard BA13	
N_{rec}	0,12
$N_{Ru,m}$	0,60
Plasterboard BA10	
N_{rec}	0,084
$N_{Ru,m}$	0,42

SHEAR

Anchor size	TP12
Base material	
Plasterboard BA13	
V_{rec}	0,28
$V_{Ru,m}$	1,40
Plasterboard BA10	
V_{rec}	0,23
$V_{Ru,m}$	1,15

APPLICATION

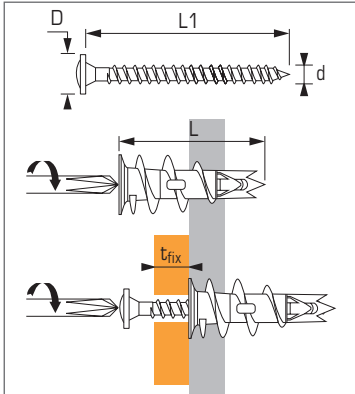
- Self-drilling, double anchorage fixing for plasterboard: thickness 10 to 13 mm with or without insulation (polystyren, etc...)
- Bathroom accessories
- Kitchen cabinets
- Radiators
- Fuse boxes

MATERIAL

- **Body** : zamak 3, NFA 55.010
- **Screw** : Special screw supplied, head type PZ2



Self drilling anchor for plasterboard & aerated concrete



Technical data

Anchor size	Max. thick. of part to be fixed (mm) t_{fix}	Screw threaded diameter (mm) d	Screw head diameter (mm) D	Total screw length (mm) L1	Anchor head diameter (mm) d	Total anchor length (mm) L	Code
TF5	5	4,5	8,2	25	13	31	059370
TP12	12	4,5	9,2	35	13	31	059360
TF27	27	4,5	8,8	50	13	31	059380
C7	M7X150	4,5	-	37	13	31	059390
SV (sans vis)	-	4,5	-	-	13	31	060083
Mini DRIVA (*)	-	-	-	-	7,5	26	059430

Nota : Predrilling with HSS drill bit is required:
in laminated plasterboard or gypsum block : Ø10 mm / in aerated concrete : Ø6 mm

APPLICATION

- Bathroom accessories, wall heaters,
- Electrical switch boxes, trunking, conduit,
- Curtain track.
- (*) **Mini DRIVA** : for fixing trunking to plasterboard

MATERIAL

- **Body** : zamak 3 NFA 55.010
- **Screw** : Special screw supplied, head type PZ2

Recommended loads (N_{rec} , V_{rec}) and ultimate loads ($N_{Ru,m}$, $V_{Ru,m}$) in kN

TENSILE

Anchor size	DRIVA TP/TF/C7	DRIV' AIR	Mini DRIVA
Base material			
Aerated concrete			
N_{rec}	0,06	0,06	-
$N_{Ru,m}$	0,3	0,3	-
Plasterboard BA13			
N_{rec}	0,06	0,06	0,03
$N_{Ru,m}$	0,3	0,3	0,16

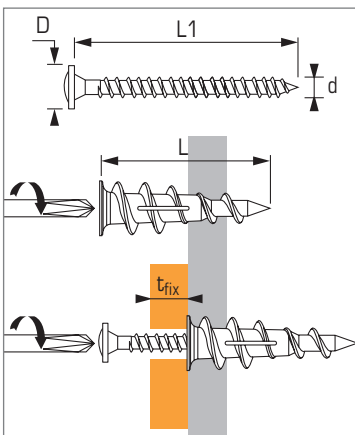
SHEAR

Anchor size	DRIVA TP/TF/C7	DRIV' AIR
Base material		
Aerated concrete		
V_{rec}	0,18	0,18
$V_{Ru,m}$	0,9	0,9
Plasterboard BA13		
V_{rec}	0,18	0,18
$V_{Ru,m}$	0,9	0,9

DRILL



Self drilling anchor for plasterboard & aerated concrete



Technical data

Anchor size	Max. thick. of part to be fixed (mm) t_{fix}	Screw threaded diameter (mm) d	Screw head diameter (mm) D	Total screw length (mm) L1	Anchor head diameter (mm) d	Total anchor length (mm) L	Code
TF12	12	3,0	8,6	25	9,5	30	061630

Nota : Predrilling with HSS drill bit is required:
in laminated plasterboard or gypsum block : Ø5 mm / in aerated concrete : Ø 5 mm

Recommended loads (N_{rec} , V_{rec}) and ultimate loads ($N_{Ru,m}$, $V_{Ru,m}$) in kN

TENSILE

Anchor size	TP12
Base material	
Aerated concrete	
N_{rec}	0,046
$N_{Ru,m}$	0,23
Plasterboard BA13	
N_{rec}	0,044
$N_{Ru,m}$	0,22

SHEAR

Anchor size	TP12
Base material	
Aerated concrete	
V_{rec}	0,15
$V_{Ru,m}$	0,75
Plasterboard BA13	
V_{rec}	0,16
$V_{Ru,m}$	0,80

APPLICATION

- Fixing in all soft materials
- Small electrical accessories

MATERIAL

- **Body** : reinforced polyamid 6.6
- **Screw** : Special screw supplied, head type PH1